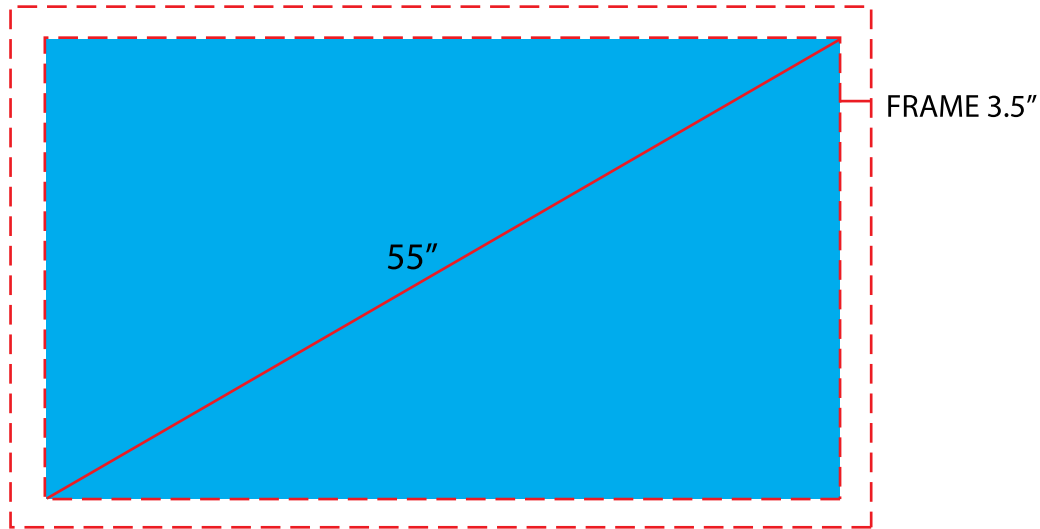
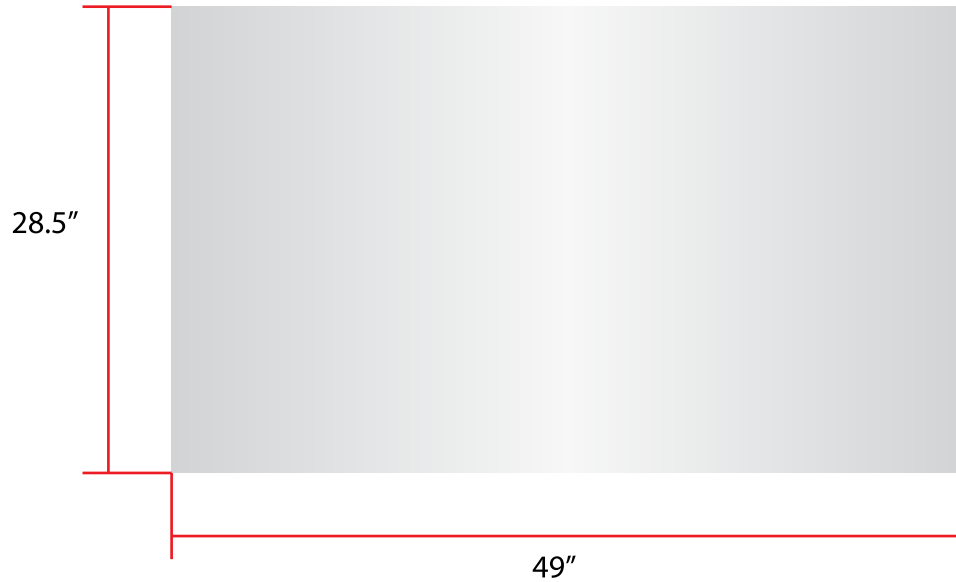


MIRROR (tv off)



MIRROR (tv on)

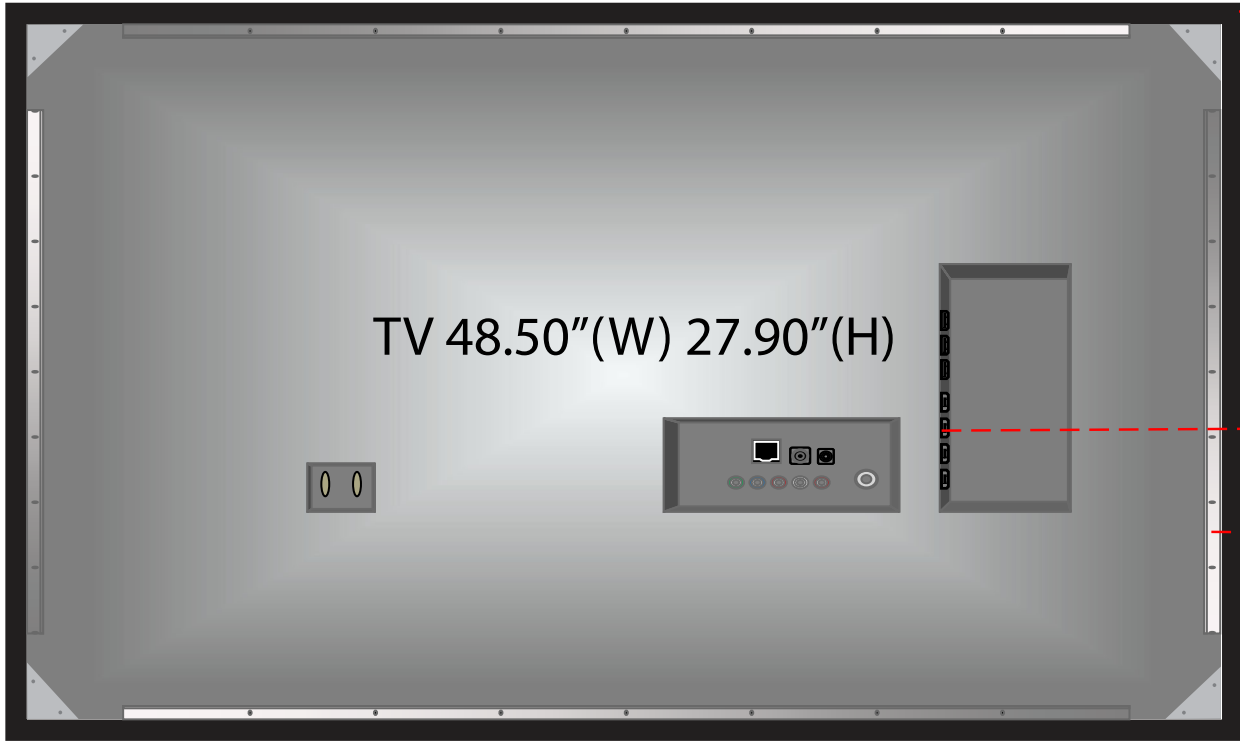
FRONTAL PERSPECTIVE

Client Information :

Project ID :

Client Representative :

Invoice Number :



TV FRAME

TV INPUTS

TV BRACKETS

REAR PERSPECTIVE

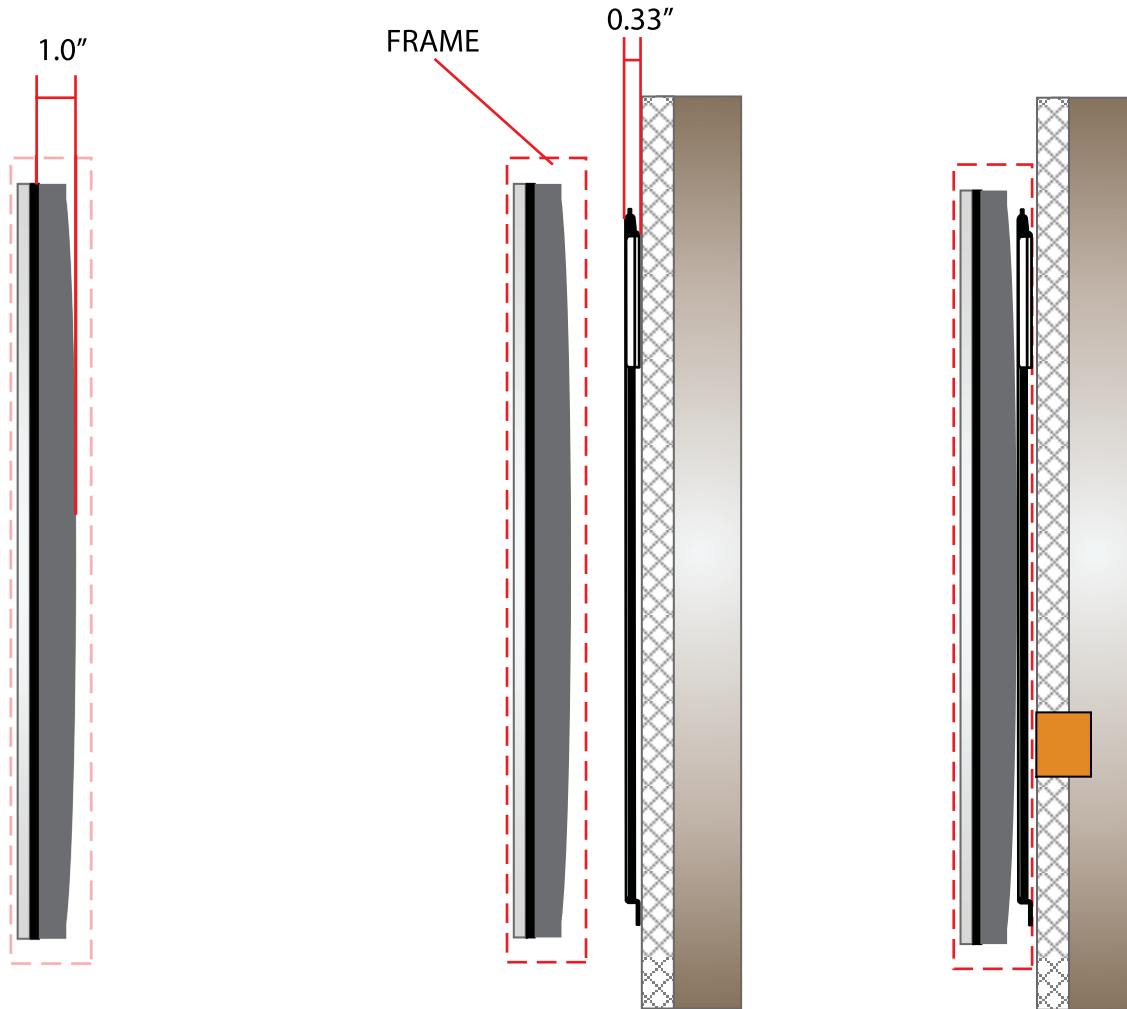
Client Information :

Project ID :

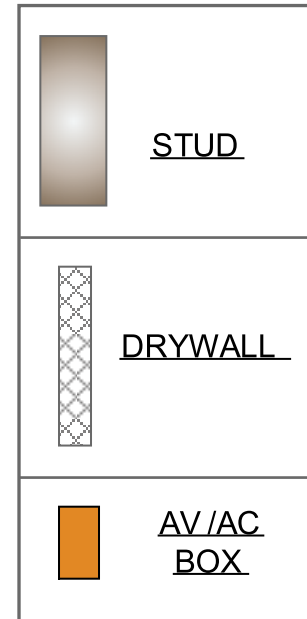
Client Representative :

Invoice Number :

SIDE VIEW



SIDE VIEW
(attached)



SIDE PERSPECTIVE

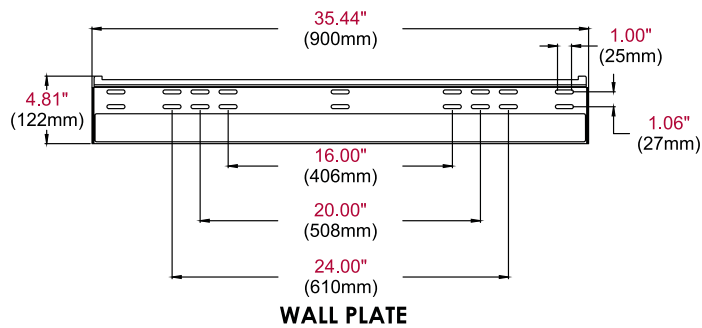
Client Information :

Project ID :

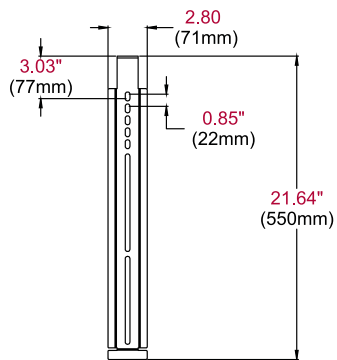
Client Representative :

Brian Walter

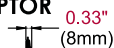
Invoice Number :



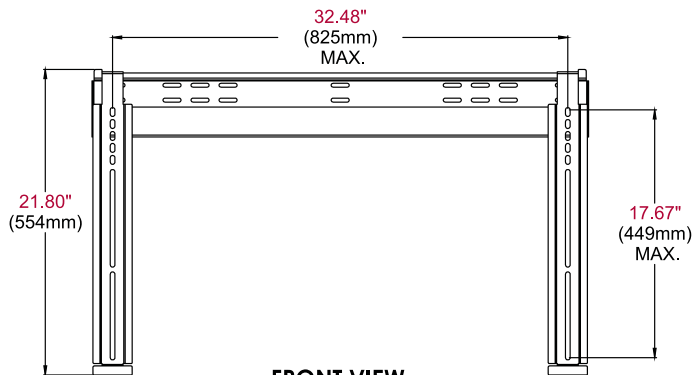
WALL PLATE



VERTICAL ADAPTOR



SIDE VIEW



FRONT VIEW



PLACEMENT PERSPECTIVE

Client Information :

Project ID :

Client Representative :

Invoice Number :